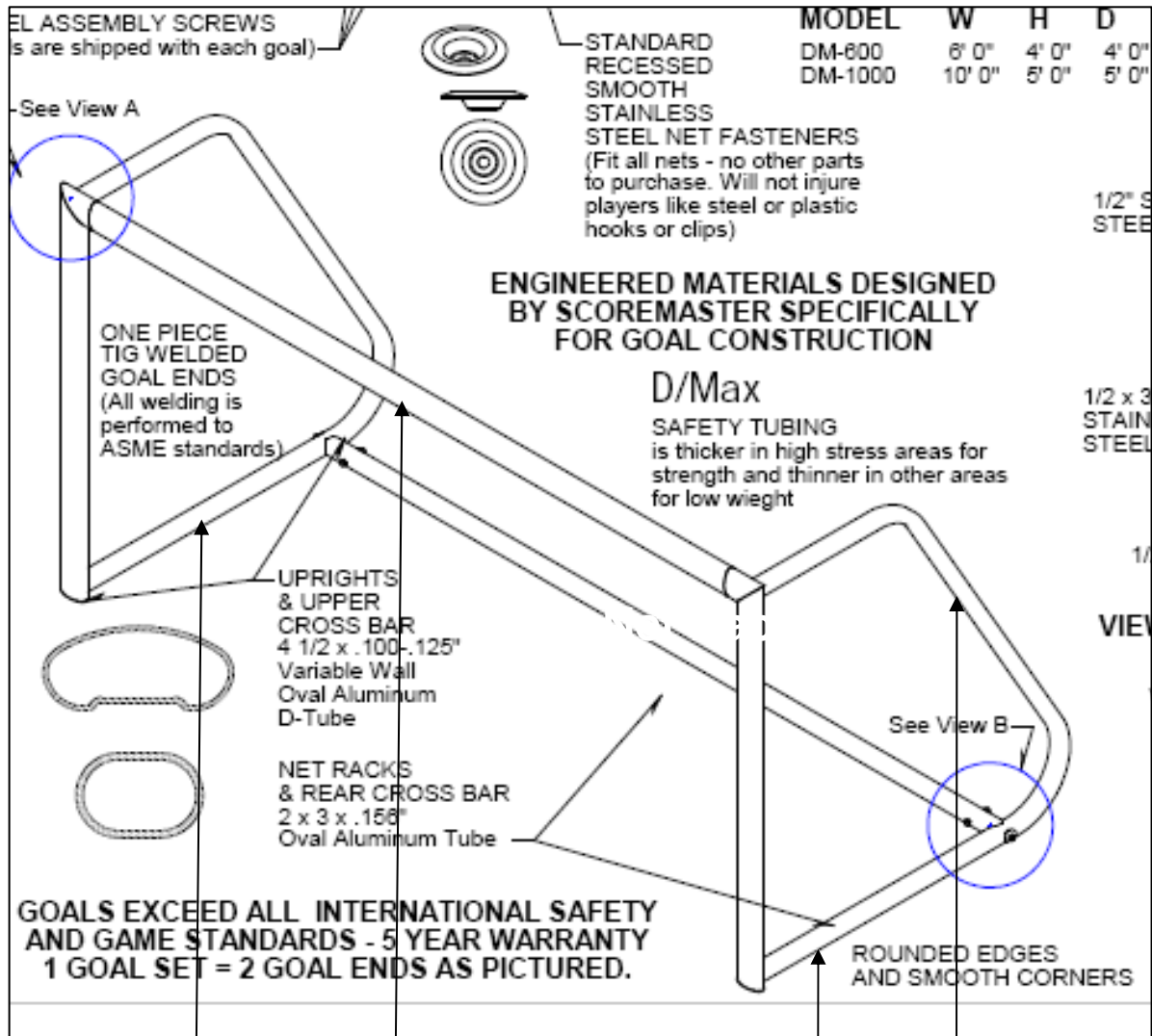




Net Installation Instructions

1. Start by spreading the net inside the goal area. This can be done with one person but two persons make the job easier.
2. Go to the top corner bring the net forward to the top fastener below the Upper Net Rack intersection and wrap the thinner net rope around the net fasteners once. The nets go **under** the Upper Net Rack on these goals, **not** over. Many net manufacturers will identify "Top Corner" for convenience. Use a step stool on taller goals if available.
3. Work across the Front Cross Bar wrapping the thinner net rope around the net fasteners once.
4. Work your way down each Upright Bar and along the Lower Net Rack towards the Rear Cross Bar. Wrapping the thinner netting around the fasteners as you go.
5. Standing behind the Rear Cross Bar pull the net tight towards the Rear Cross Bar. Wrap the thinner netting around the net fasteners once or around the Rear Cross Bar on the U5-U6 goals.

Diagram Below (Page 2)



Front Cross Bar

Upper Net Rack

Lower Net Rack

Lower Net Rack

Effective Spring 2009